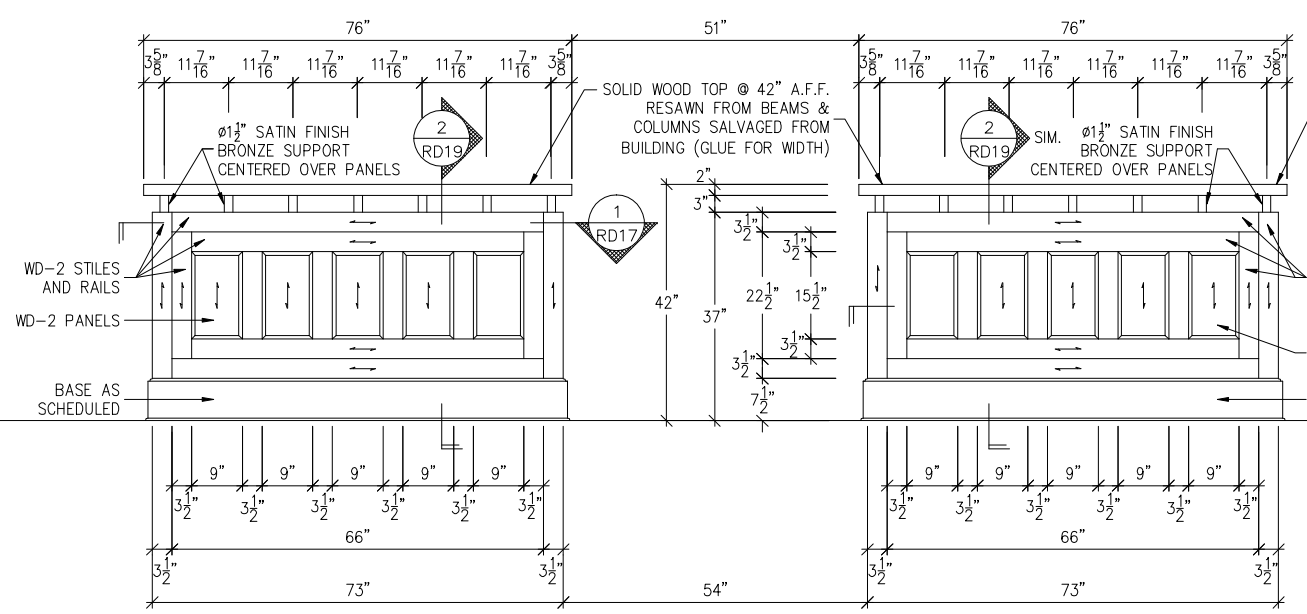
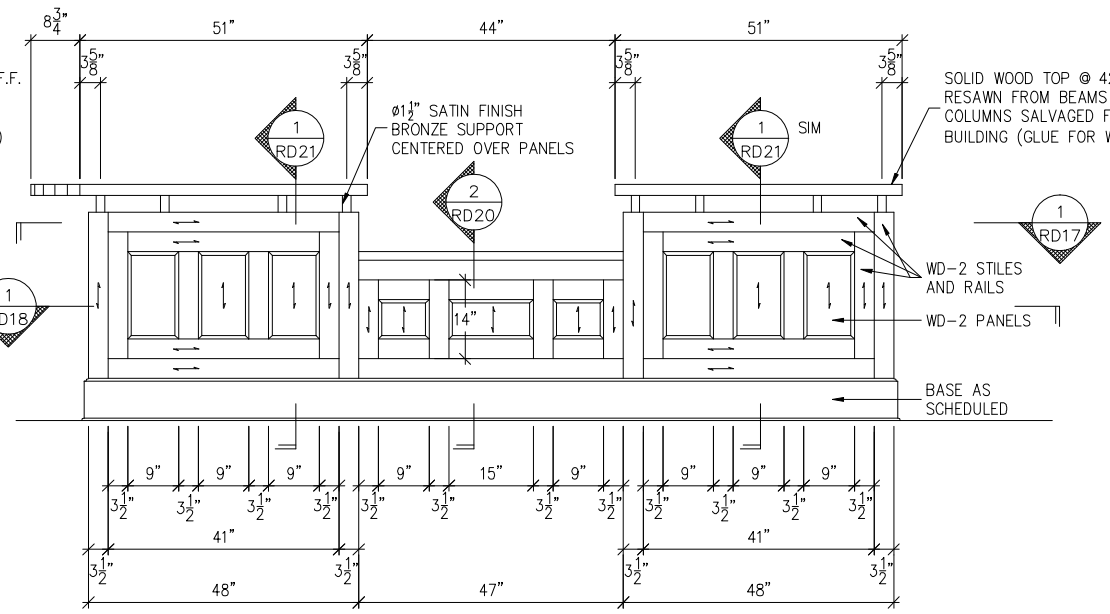


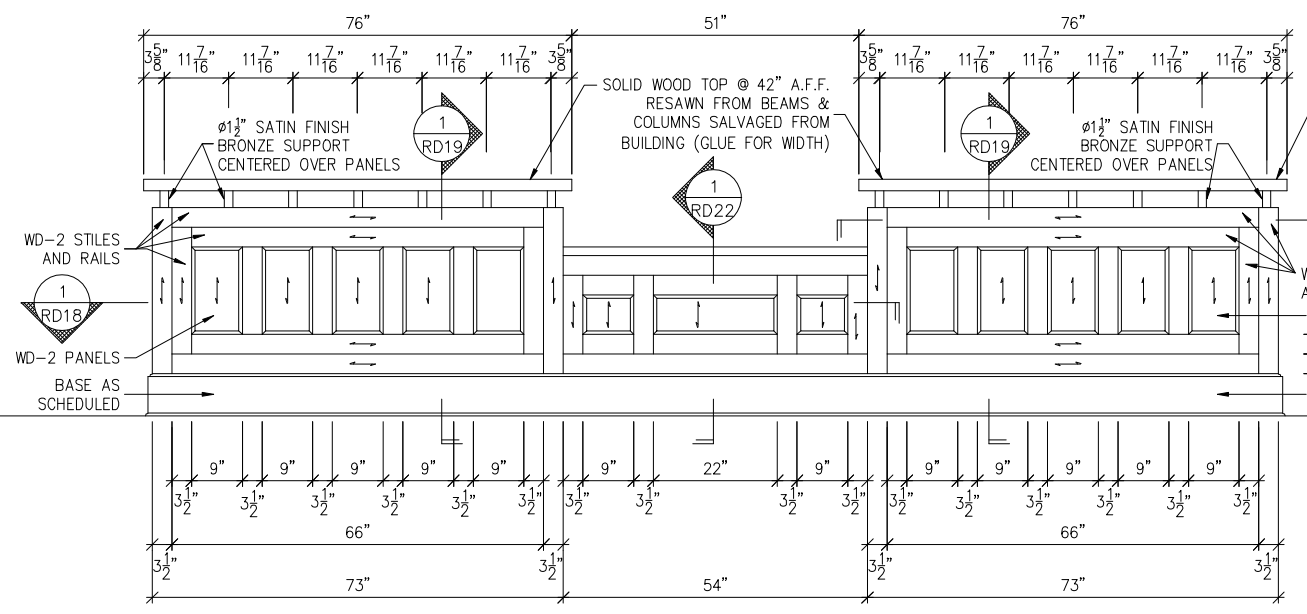
PLAN @ LIBRARY COUNTER
 SCALE: 3/4" = 12" REF: ASK31-1



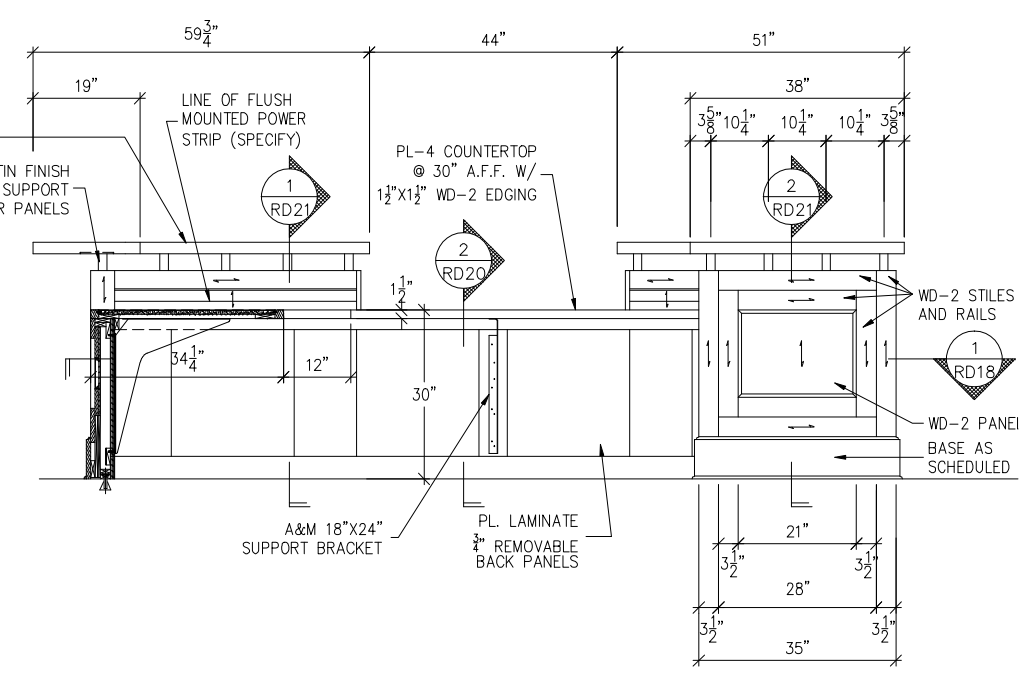
ELEV. @ LIBRARY COUNTER
 SCALE: 3/4"=12"
 REF: 3/ASK31-2 (A) RD15



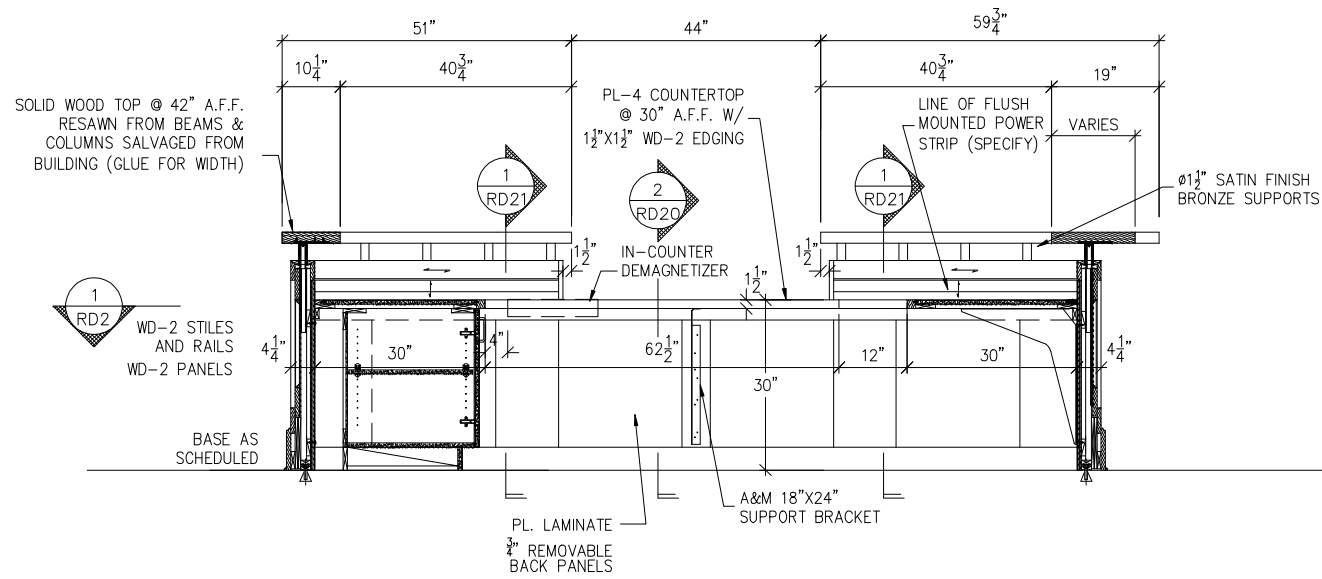
ELEV. @ LIBRARY COUNTER
 SCALE: 3/4"=12"
 REF: 2/ASK31-2 (B) RD15
 1E/AE906.2



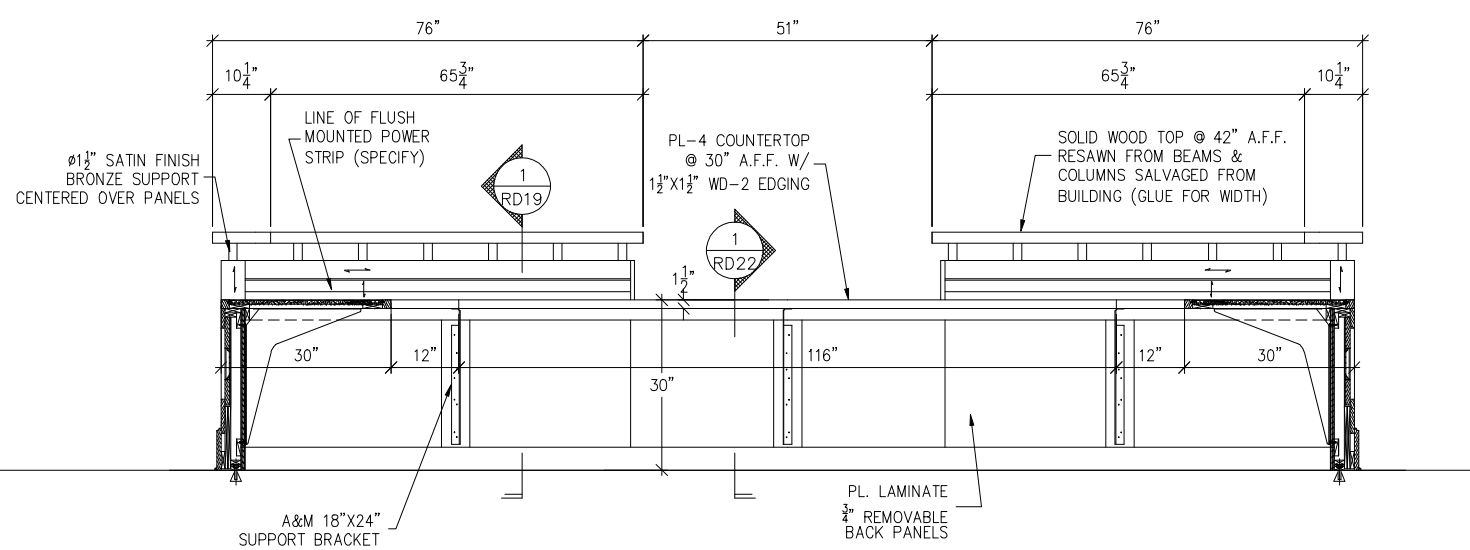
ELEV. @ LIBRARY COUNTER
 SCALE: 3/4"=12"
 REF: 1/ASK31-2 (C) RD15



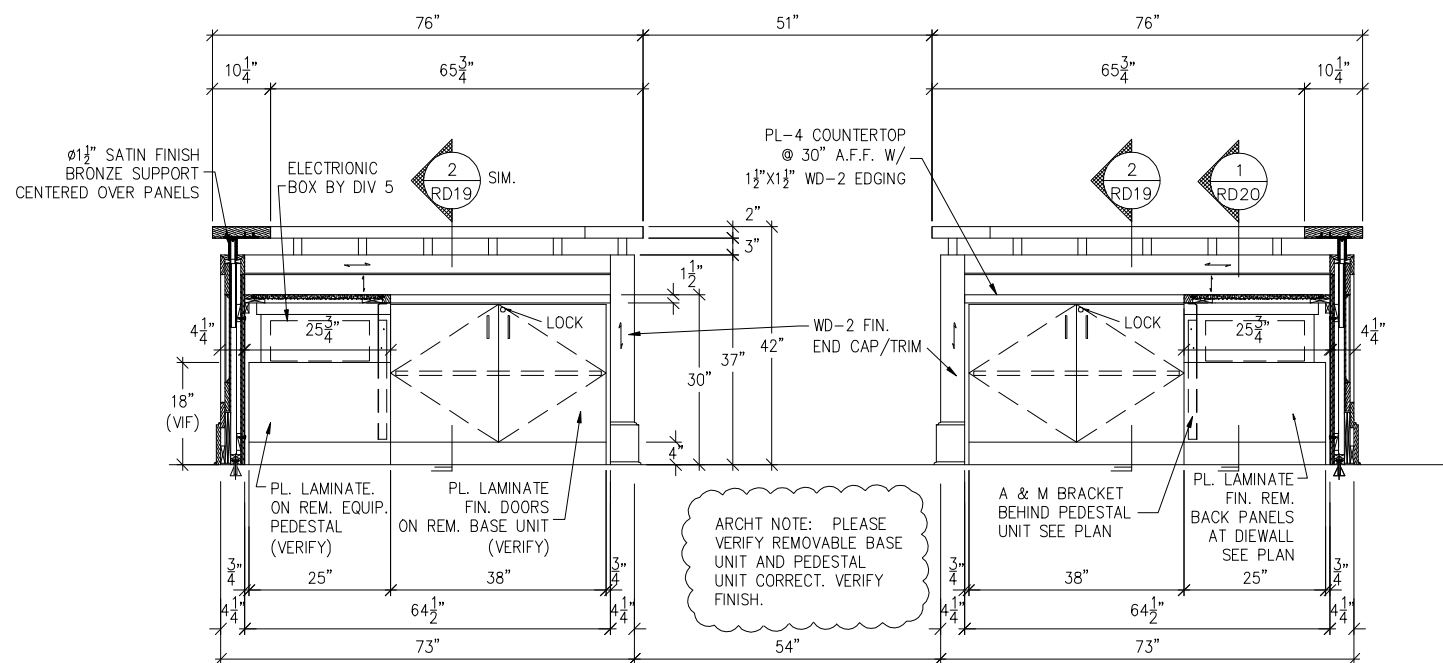
ELEV. @ LIBRARY COUNTER
 SCALE: 3/4"=12"
 REF: 5/ASK31-3 (D) RD15



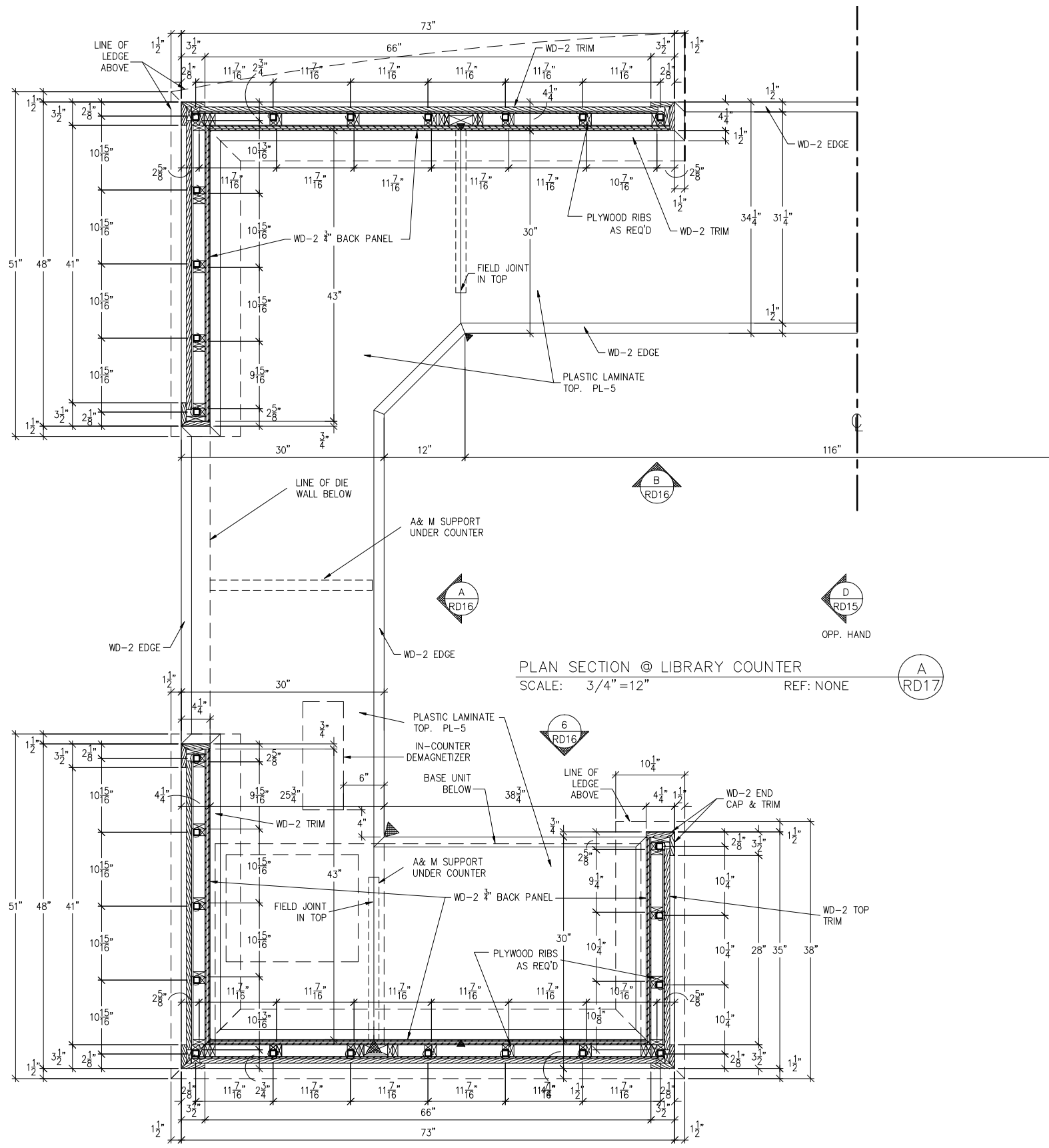
ELEV. @ LIBRARY COUNTER
 SCALE: 3/4" = 12"
 REF: 5/ASK31-3
 A RD16



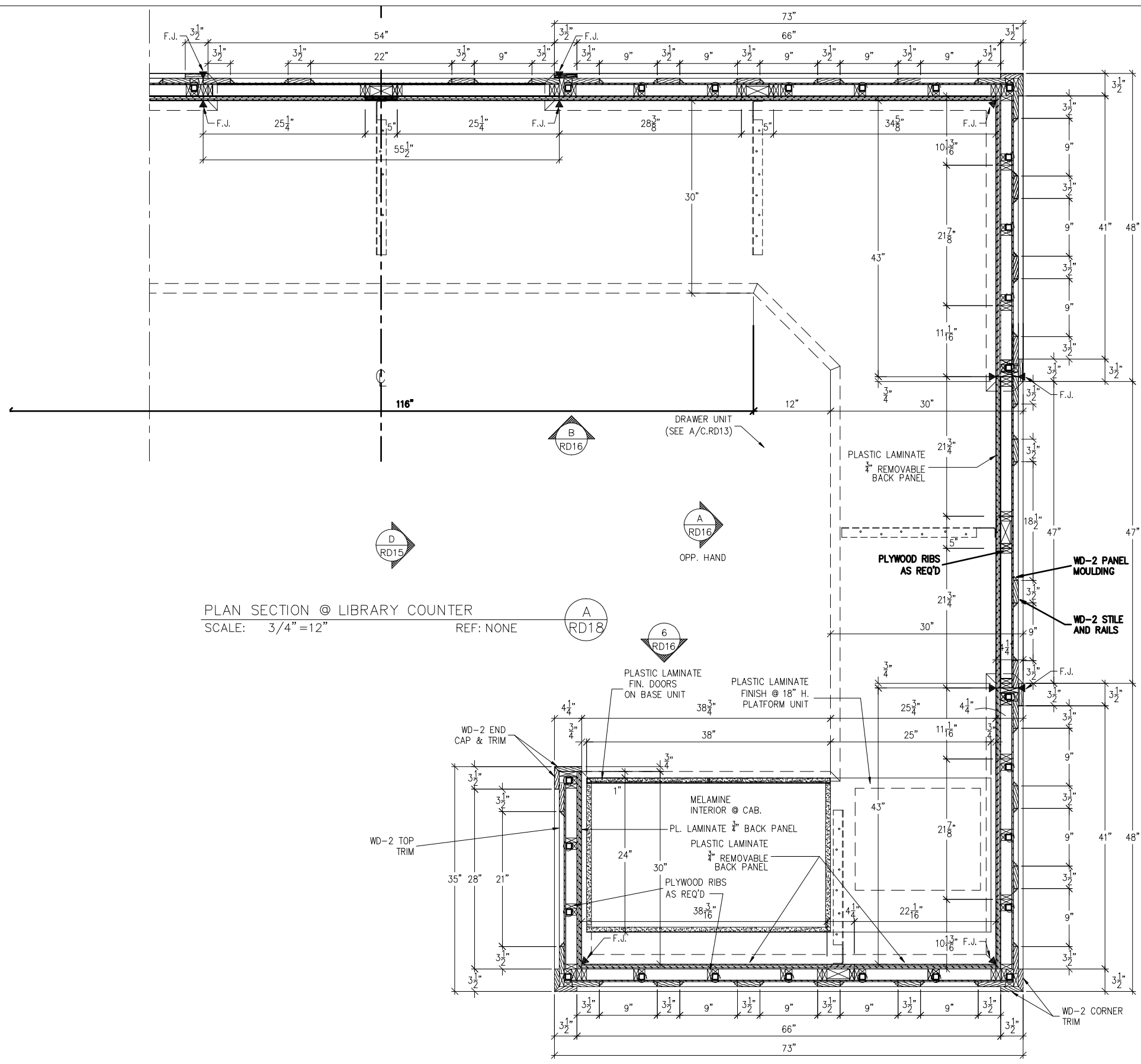
ELEV. @ LIBRARY COUNTER
 SCALE: 3/4" = 12"
 REF: 4/ASK31-3
 B RD16



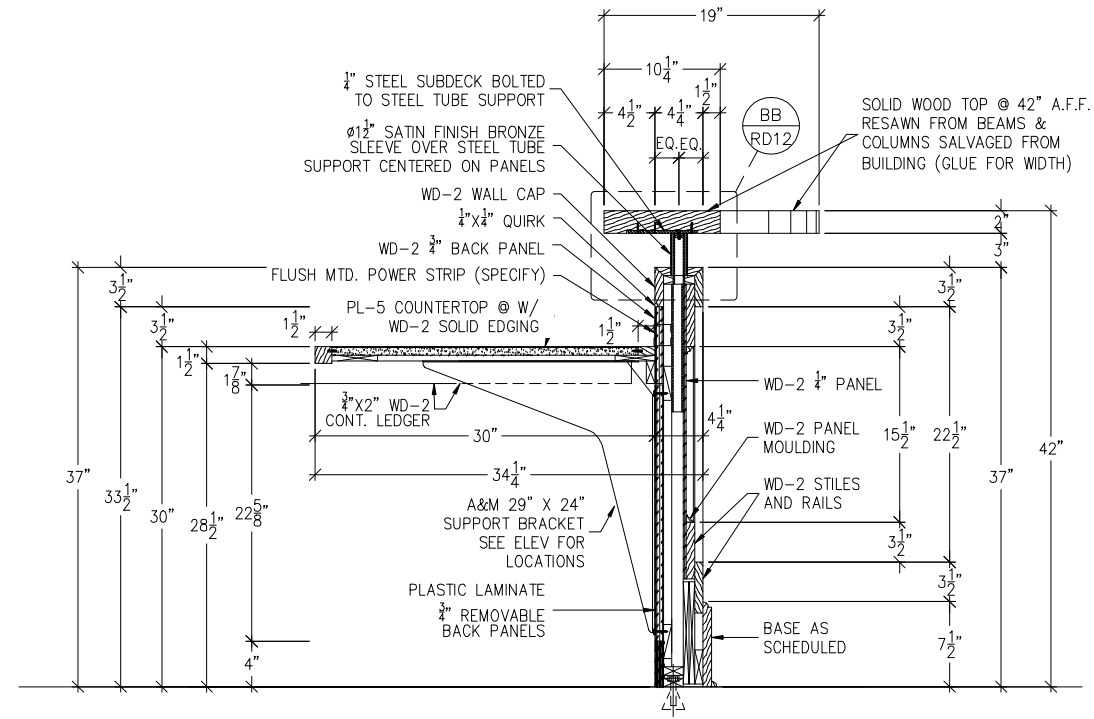
ELEV. @ LIBRARY COUNTER
 SCALE: 3/4" = 12"
 REF: 6/ASK31-3
 C RD16



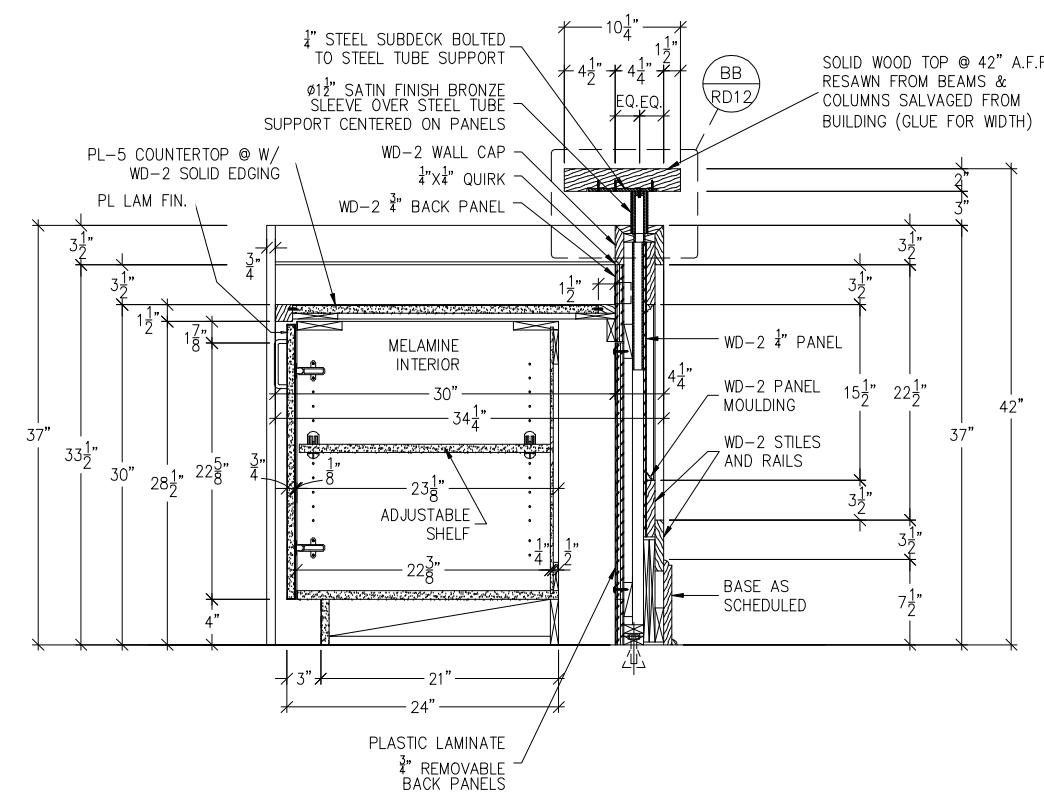
PLAN SECTION @ LIBRARY COUNTER
 SCALE: 3/4" = 12"
 REF: NONE



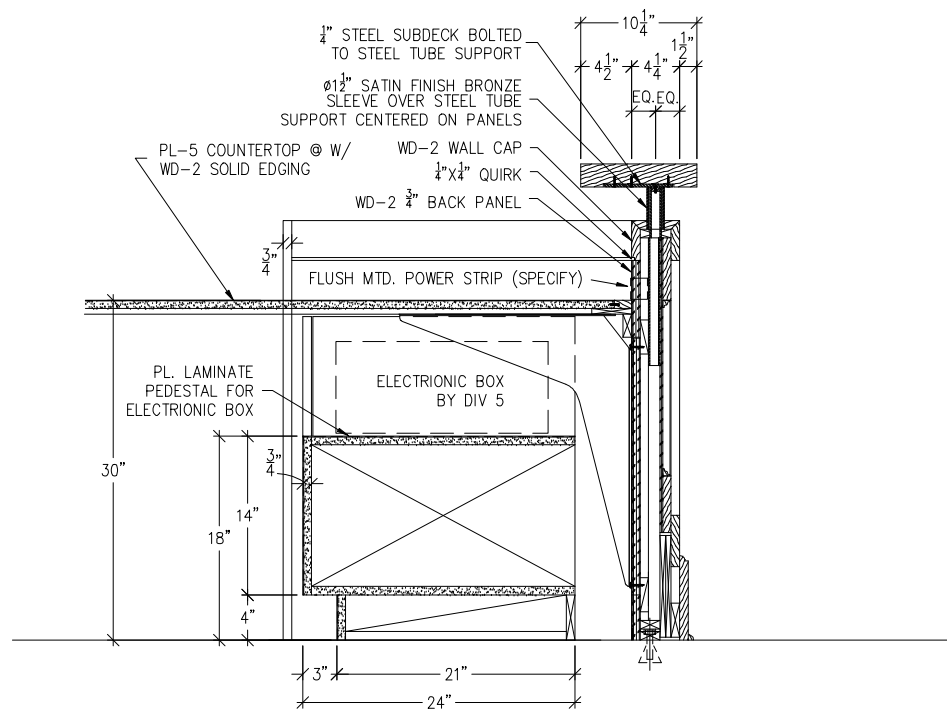
PLAN SECTION @ LIBRARY COUNTER
 SCALE: 3/4" = 12"
 REF: NONE



VERT. SECT. @ LIBRARY COUNTER
 SCALE: 1 1/2" = 12"
 REF: 1/ASK31-4
 1 RD19

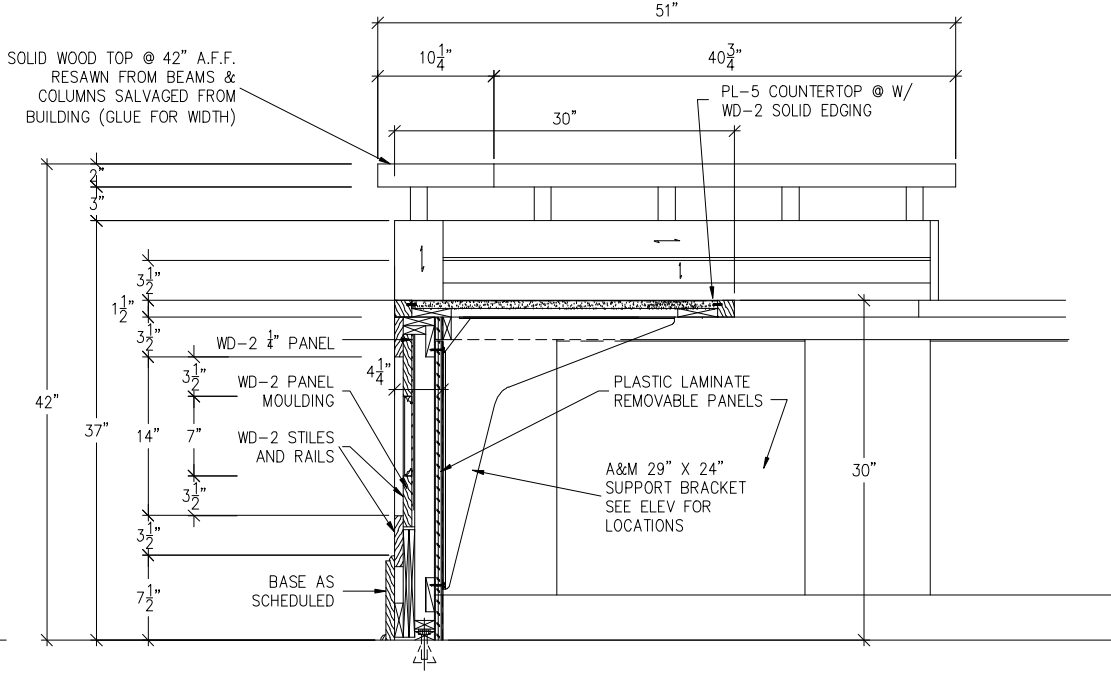


VERT. SECT. @ LIBRARY COUNTER
 SCALE: 1 1/2" = 12"
 REF: NONE
 2 RD19



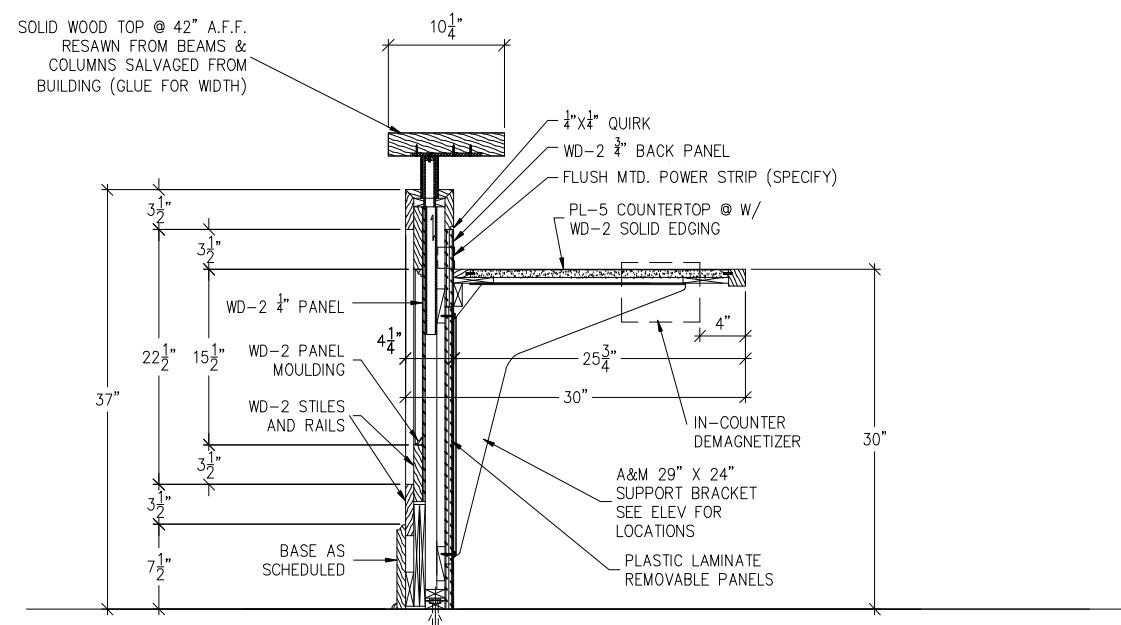
VERT. SECT. @ LIBRARY COUNTER
 SCALE: 1 1/2" = 12" REF: NONE

1
 RD20



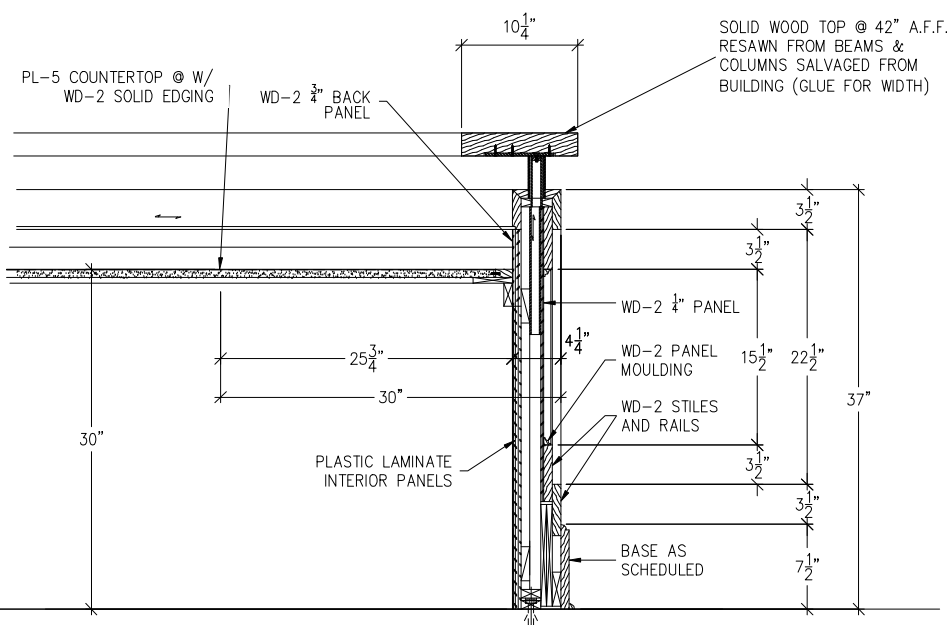
VERT. SECT. @ LIBRARY COUNTER
 SCALE: 1 1/2" = 12" REF: NONE

2
 RD20



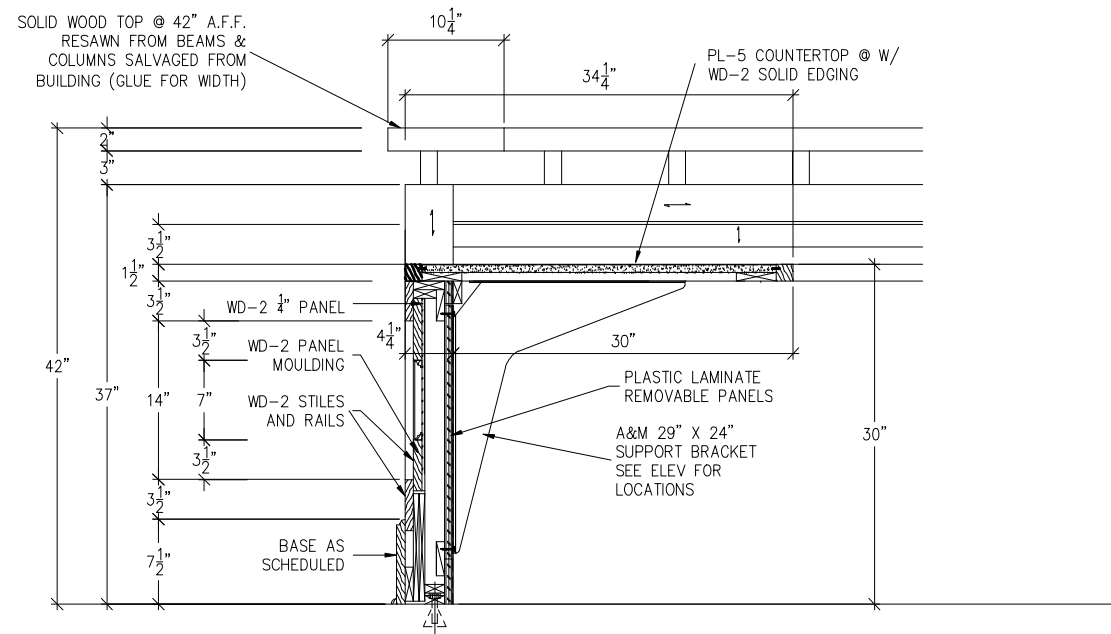
ADDITIONAL NOTES: SEE SECTION 1/RD19

VERT. SECT. @ LIBRARY COUNTER
 SCALE: 1 1/2' = 12" REF: NONE 1
RD21



ADDITIONAL NOTES: SEE SECTION 1/RD19

VERT. SECT. @ LIBRARY COUNTER
 SCALE: 1 1/2' = 12" REF: NONE 2
RD21



VERT. SECT. @ LIBRARY COUNTER
 SCALE: 1 1/2" = 12" REF: NONE

1
 RD22